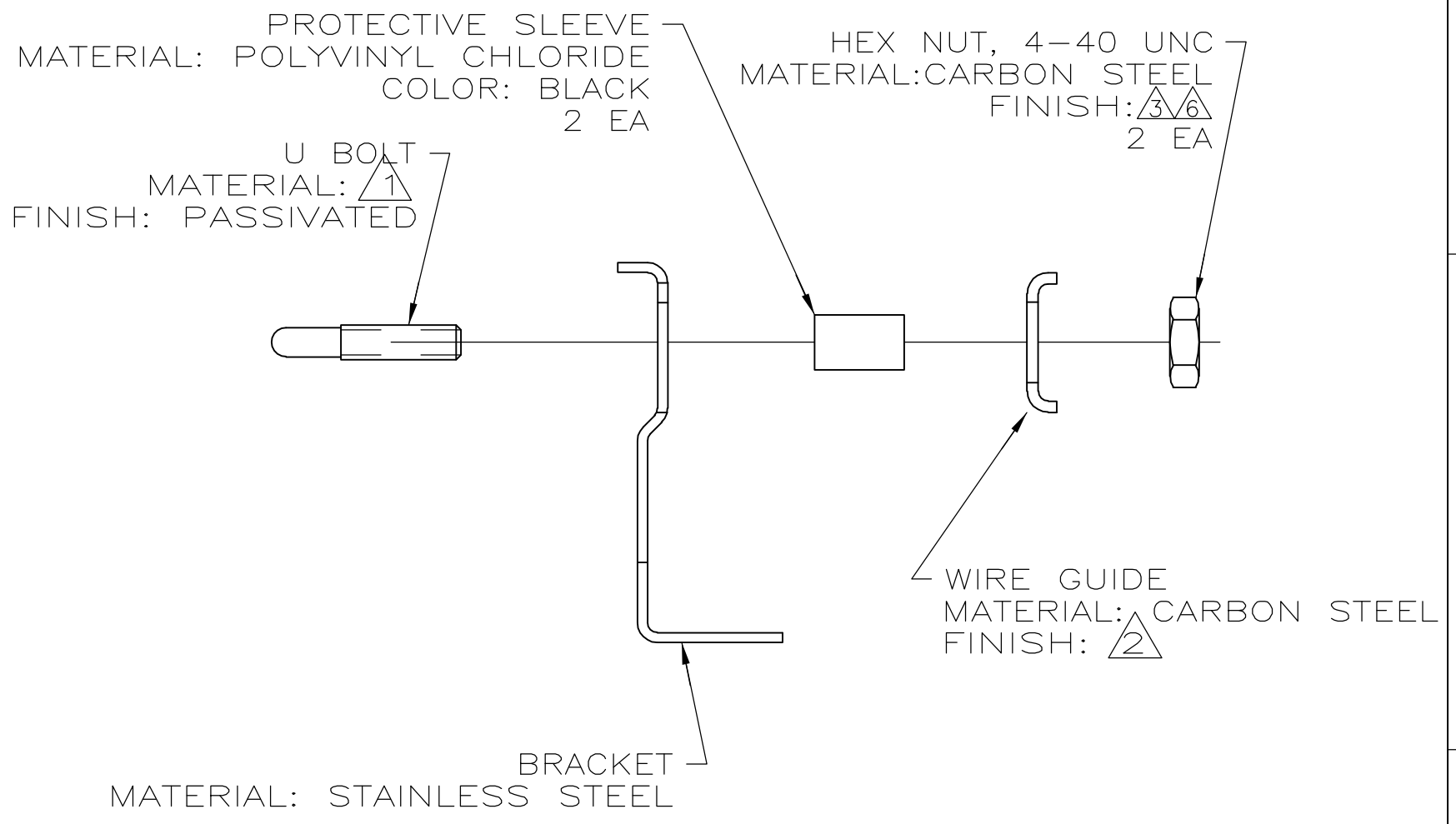


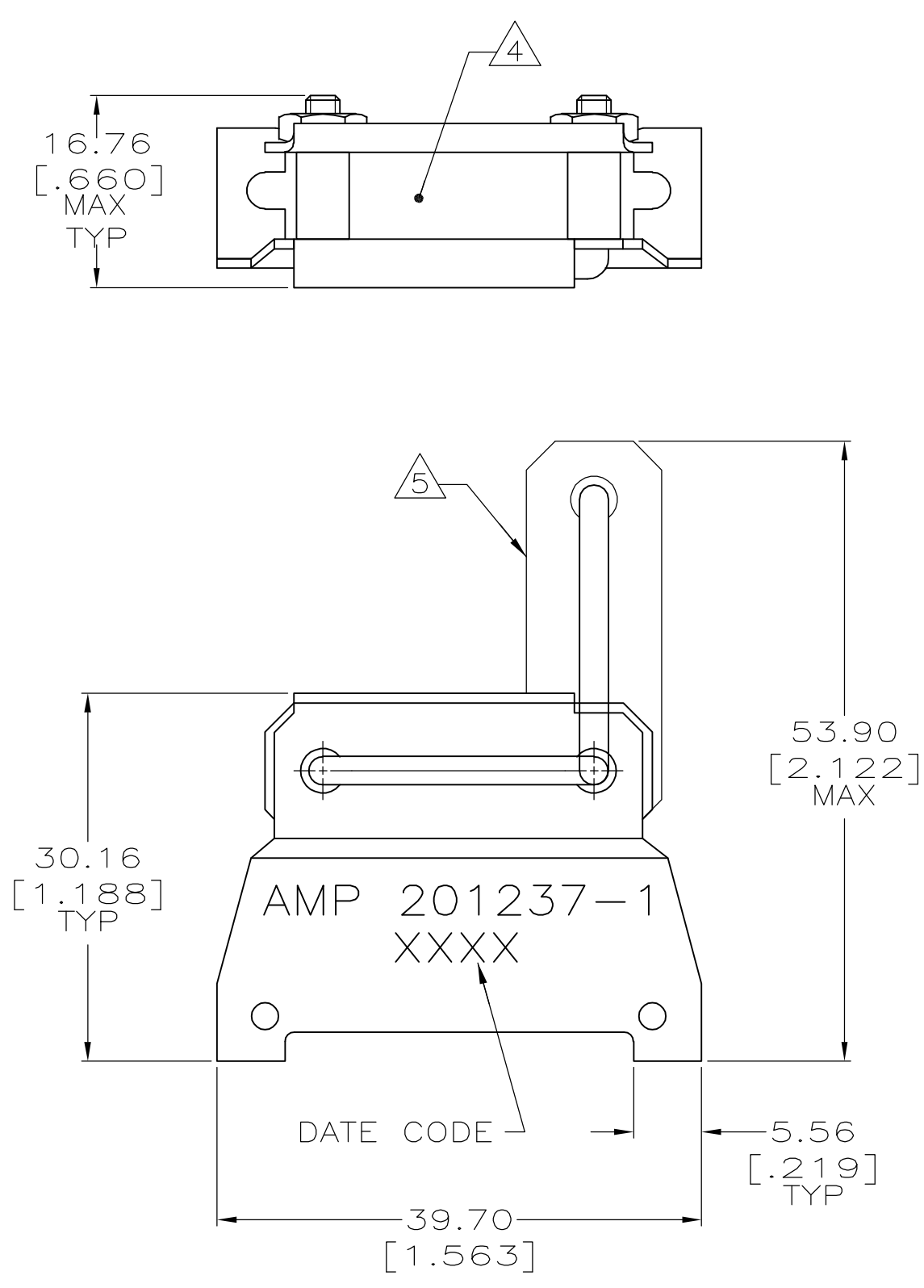
THIS DRAWING IS UNPUBLISHED. RELEASED FOR PUBLICATION
 © COPYRIGHT - BY TYCO ELECTRONICS CORPORATION. ALL RIGHTS RESERVED.

LOC	DIST	REVISIONS					
FT	0	P	LTR	DESCRIPTION	DATE	DWN	APVD
			F1	REVISED PER ECO-05-4934	7/21/05	SS	GS



- ① STAINLESS STEEL PER QQ-S-763.
- ② 5.08um[.000200] MIN NICKEL.
- ③ ZINC PER ASTM-B-633.
- ④ 161.29 SQ mm[.250 SQ IN] MAX CLAMP AREA.
- ⑤ ALTERNATE POSITION OF CABLE CLAMP FOR 90° CABLE OUTLET.
- ⑥ ZINC PLATE WITH NON-HEXAVALENT CHROMIUM.

⑥	201237-2
③	201237-1
NUT FINISH	PART NUMBER



ASSEMBLED VIEW

THIS DRAWING IS A CONTROLLED DOCUMENT.		DWN C.REIFSNYDER 18 APR 96	Tyco Electronics Corporation Harrisburg, Pa 17105-3608	
DIMENSIONS: mm [INCHES]		CHK R.STONE 24 MAY 96	NAME	
TOLERANCES UNLESS OTHERWISE SPECIFIED:		APVD G. STEINHAUER 21 JUN 96	PRODUCT SPEC	
0 PLC ± -		APPLICATION SPEC		
1 PLC ± -		SIZE CAGE CODE DRAWING NO RESTRICTED TO		
2 PLC ± 0.38[.015]		A3 00779 C-201237		
3 PLC ± -		SCALE 2:1 SHEET 1 OF 1 REV F1		
4 PLC ± -		CUSTOMER DRAWING		
ANGLES ± -				
MATERIAL SEE CALLOUTS		FINISH SEE CALLOUTS		